

Universal LED Controller

SL-LED-CTRL Series for rotating or fixed lenses

Standard



Optional



The Sealite Advantage

- Single driver capable of controlling Sealite's range of LED light sources
- Built-in interface for turntable lens rotation monitoring
- PC Programmer for setup, diagnostic & testing
- Built-in Interface in RS232 and RS422/485 format for third party monitoring
- AIS & GSM built-in options available removing the need to interconnect additional devices
- General purpose inputs (two) & outputs (two)
- Alarm contact for remote monitoring
- Built-in interface for external photocell connection
- Built-in temperature sensor
- Two controllers may be connected by RS485/422 for hardwired synchronisation of more than 6 LED outputs. For instance this allows redundant control of a 12 sided LED Light source
- Lighthouse can now be synchronised to breakwater or buoy channel

The Universal LED Controller is used in conjunction with Sealite's LED Light Source. The model includes a range of advanced monitoring features and can deliver power up to 270 watts.

The LED Controller is available in configurations for 6 sided and 12 sided light sources conveniently packaged into the same enclosure.

Used in conjunction with Sealite's LED Light Source

The LED Light Source is designed to replace traditional lamps in classical lighthouse optics. Their long life and high luminous efficiency makes huge savings in energy and maintenance possible, whilst retaining the heritage value of classical optical apparatus.

Advanced Monitoring

The LED Controller has advanced monitoring capabilities utilising alarm relay and RS232 and RS422/485 to monitor;

- LED status
- Power supply
- Temperature
- Light levels
- Internal fault conditions
- Turntable rotation speed

Advanced Programming

The LED Controller can be configured to suit a range of requirements including partial, phased-in or complete lighthouse modernisation. Sealite's convenient PC Configuration Tool allows a host of features to be set including;

- Multiple intensity settings
- 310 flash settings including custom character
- Adjustable on/off lux levels
- Low battery threshold
- Alarm conditions
- Speed tolerance variation

Redundant Failsafe

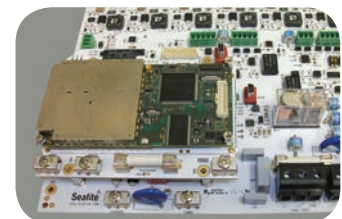
The LED controller includes a series of independent driver outputs, providing redundancy as each LED is controlled by a separate output driver.



LED Controller with 110/240 supply



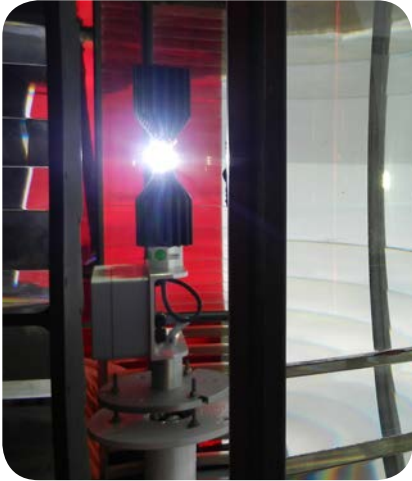
LED Controller works in conjunction with Sealite's SL-LED Series Light Source



LED Controller with AIS/GSM built in

Universal LED Controller

SL-LED-CTRL Series for rotating or fixed lenses



LED Controller works in conjunction with Sealite's SL-LED Series Light Source

SPECIFICATIONS * *

SL-LED-CRTL Series

Controller Characteristics

No. LED Drivers

Driver output characteristics

Available Flash Characteristics Intensity Adjustments

Electrical Characteristics

For single board 6-sided version:

Current Draw (A)

Power (W)

Circuit Protection

Nominal Voltage

Temperature Range

External 3rd Party Monitoring

AIS Connection

Alarm Contacts

External Inputs

External Outputs

Physical Characteristics

Body Material

Mounting

Height (mm/inches)

Width (mm/inches)

Depth (mm/inches)

Mass (kg/lbs)

Product Life Expectancy

Environmental Standards

Low Temperature

High Temperature

Salt Fog

Humidity

Certifications

CE & Electrical

Quality Assurance

Waterproof

Intellectual Property

Trademarks

Warranty *

Options Available

Single board: 6 drivers

Dual board: 12 drivers

SL-LED-CRTL-01: capable of driving up to 21V @ 1.5A

SL-LED-CRTL-02: capable of driving up to 15V @ 3A

Up to 310 including 256 IALA recommended, & 1 custom

User adjustable

VDC Model: Variable up to 11.25A @ 24VDC

VAC Model: Variable up to 1A

VDC Model: Variable up to 270W

VAC Model: Variable up to 240W

Polarity protected

VDC Model: 18-32VDC

VAC Model: 110-240VAC

-40 to 60°C

Via RS232/422/485

Via RS232/422/485 (if built-in module not selected)

1 x Volt free 250VAC @ 5A or 30VDC @ 5A

2 x general purpose digital inputs 3-24VDC

2 x general purpose digital outputs will switch up to 24VDC @ 1A

Baked enamel coated aluminium

4 x 6mm screws

111 / 4½

400 / 15¾

230 / 9

5 / 11

Up to 12 years

MIL-STD-810G Method 502.5

MIL-STD-810G Method 501.5

Rated to withstand continuous exposure to salt water and spray

0 - 100%, condensing

FCC Part 15 Rules & ICES-003.

EN61000-6-1: 2007 (IEC61000-6-1:2005) Part 6-1 Immunity.

EN61000-6-3: 2007 (IEC61000-6-3: 2006) Electromagnetic compatibility

(EMC) - Part 6-3 Emission.

IEC61000-4-2: 2008 Ed 2 Part 4-2 Electrostatic discharge immunity test

Level 4.

IEC61000-4-3: 2010 Ed 3.2 Part 4-3. Radiated, radio-frequency,

electromagnetic field immunity.

IEC61000-4-6: 2008 Ed3. , Electromagnetic compatibility (EMC) - Part

4-6 Immunity.

ISO9001:2008

IP67

SEALITE® is a registered trademark of Sealite Pty Ltd

3 years

- AIS Type 1 or Type 3
- GSM Monitoring & Control System
- Solar Power
- Float charged battery standby systems
- GPS antenna for synchronisation

Specifications subject to change or variation without notice
* Subject to standard terms and conditions
† Intensity setting subject to solar availability



Optional GSM Monitoring & Control

A built-in GSM module for monitoring and control is also available enabling users to access diagnostic data via cell-phone. The system can also be configured to send out alarm SMS text messages to designated cellular telephone numbers. Users can also have alarms and reports sent to designated email addresses.

Optional Type 1 or Type 3 AIS

The Universal LED Controller is available with a built-in, low-powered Type 1 or Type 3 AIS. The unit can be monitored both by GSM and AIS.

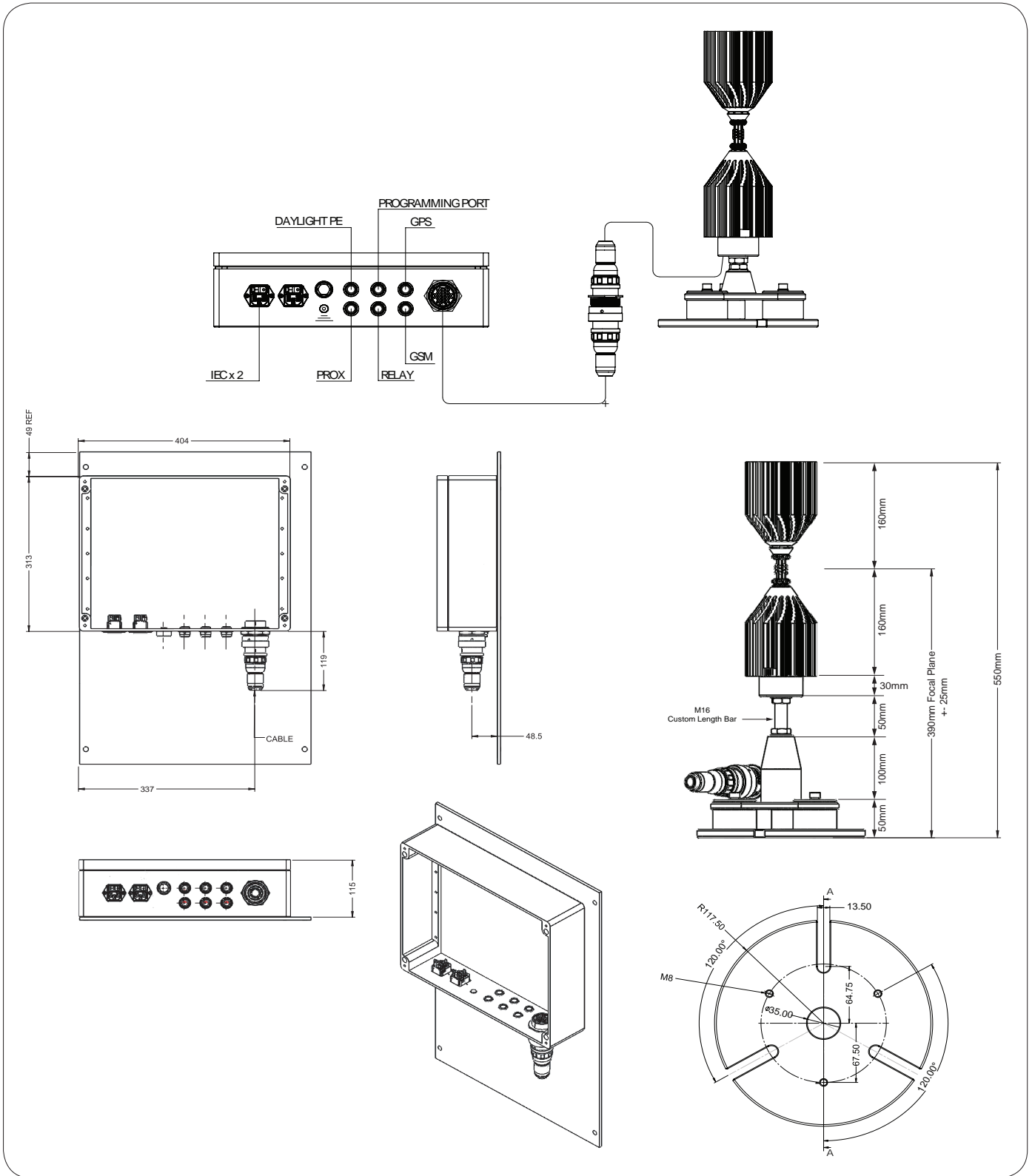
Optional GPS Antenna

For flashing fixed lens applications the station can now be flashed in synchronisation with a buoy channel or breakwater by fitting an antenna if these channels are already fitted with GPS.



Universal LED Controller

SL-LED-CTRL Series for rotating or fixed lenses



Sealite Pty Ltd
Australia
t: +61 (0)3 5977 6128

Sealite Asia Pte Ltd
Singapore
t: +65 6829 2243

Sealite United Kingdom Ltd
UK
t: +44 (0) 1502 588026

Sealite USA LLC
USA
t: +1 (603) 737 1311